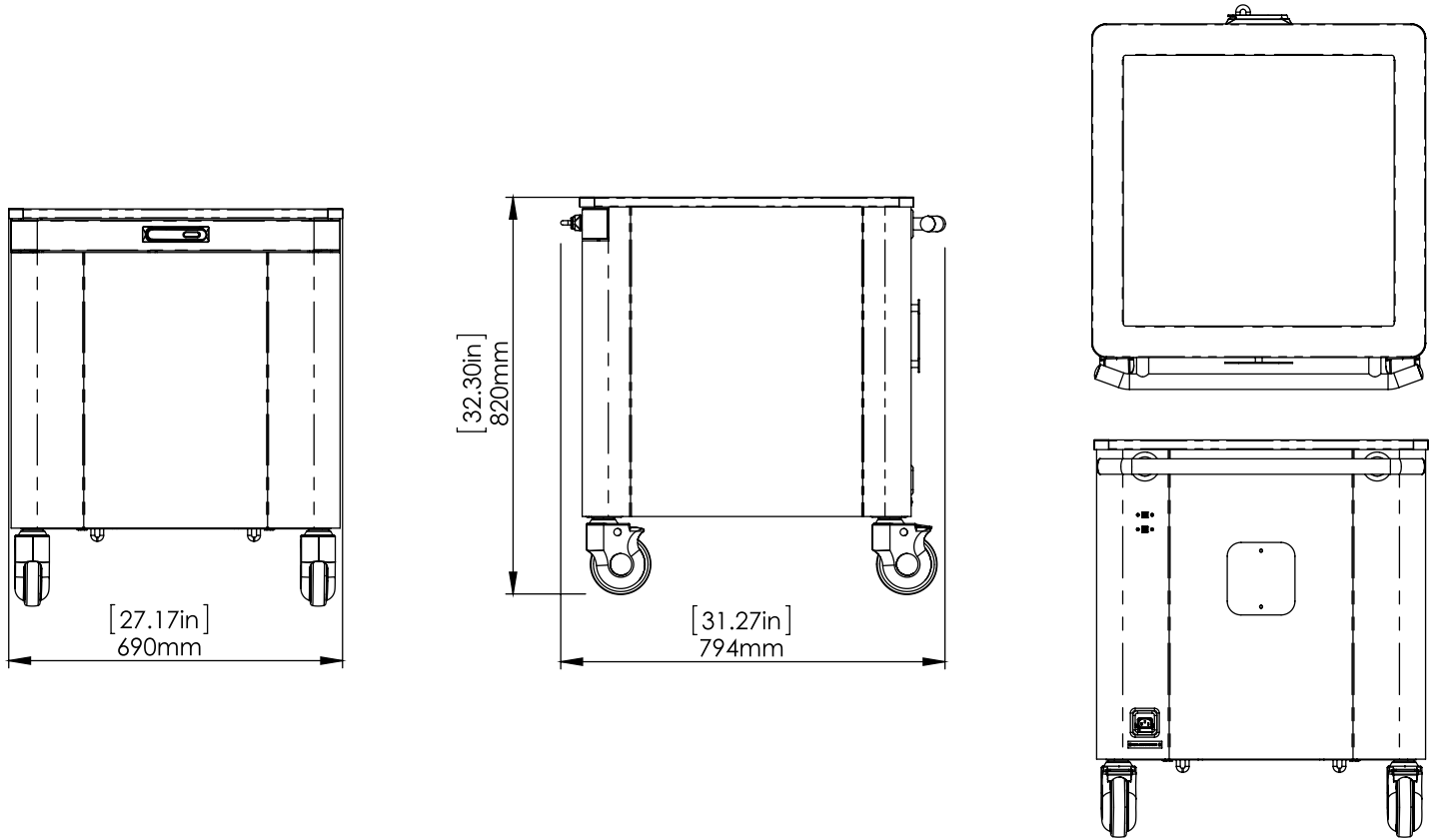


iQ 30 Cart™ Specifications



iOS Charging

Charge up to 30 devices at once. Equipped with two intelligent iQ 16 Sync Charge Boxes, which automatically stage the availability of power to each device, reducing the possibility of a momentary electrical overload when multiple devices are powered on at the same time. Each USB port has 2.1 amps of power.

iOS Syncing

Connect and sync up to 30 devices at once. Two external USB ports on the handle end of the iQ 30 Cart connects all 30 devices to your Macbook. Syncing can be managed by iTunes or Apple Configurator. For more details about iTunes and Apple Configurator, contact your Apple representative.

Baskets by LocknCharge (green, blue and red)

Internal slot dimensions
inches: 11.61x 8.62 x 0.96
mm: 294.9 x 219 x 24.5

Includes POWER READY™ smart cables (Lightning to USB)

MFI Approved
Connector head illuminates blue when connected to power
Each cable is 47.24 inches (1.2m) in length

Power

Input: 110~240 VAC
Output: Max 30 x USB Ports - 2.1Amps/5 VDC

Color

Ripple finish powder coat:
White core with a black and charcoal sliding top

Construction

Welded steel for strength and durability

External dimensions

inches: 31.27(L) x 27.17(W) x 32.30(H)
mm: 794(L) x 690(W) x 820(H)
weight: 182 lbs | 82.5 kg

Certifications



Warranty¹

Lifetime on chassis
Two years on electrical

05JAN15

apple.lockncharge.com

Phone: (888) 217-3090

apple@lockncharge.com

