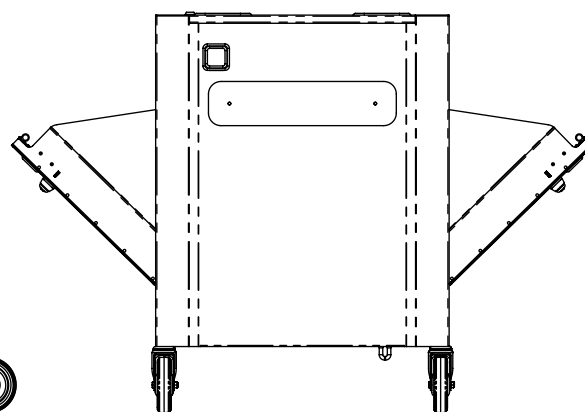
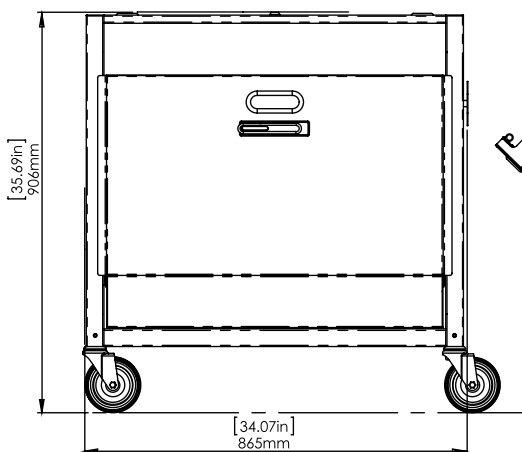
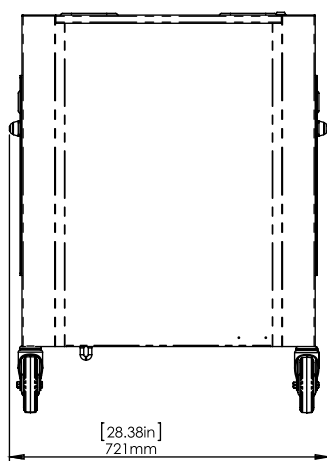
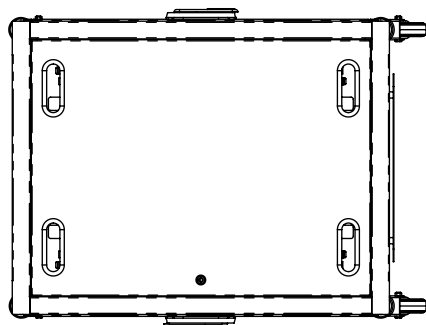


EVO 40 Cart™ Specifications (Sync and Charge)



iOS Charging

Charge up to 40 iPad devices at once. Equipped with three intelligent iQ 16 Sync Charge Boxes, which automatically stage the availability of power to each iPad, reducing the possibility of a momentary electrical overload when multiple devices are powered on at the same time. Each USB port has 2.1 amps of power.

iOS Syncing

Connect and sync up to 40 iPad devices at once. Syncing can be managed by iTunes or Apple Configurator. For more details about iTunes and Apple Configurator, contact your Apple representative.

Baskets by LocknCharge (green, blue, red and yellow)

Internal slot dimensions
inches: 11.61 x 8.62 x 0.96
mm: 294.9 x 219 x 24.5

Includes POWER READY™ smart cables (Lightning to USB)

MFI Approved
Connector head illuminates blue when connected to power
Each cable is 47.24 inches (1.2m) in length

Power

Input 110 VAC
Output: Output: 40 x 5VDC 2.1 A

Color

Ripple finish powder coat:
Charcoal core with white compartments and top

Construction

Welded steel for strength and durability

External dimensions

inches: 34.07(L) x 28.38(W) x 35.69(H)
mm: 865(L) x 721(W) x 906(H)
weight: 201 lbs | 91 kg

Certifications



Intertek

Warranty¹

Lifetime on chassis
Two years on electrical

apple.lockncharge.com

Phone: (888) 217-3090

apple@lockncharge.com

